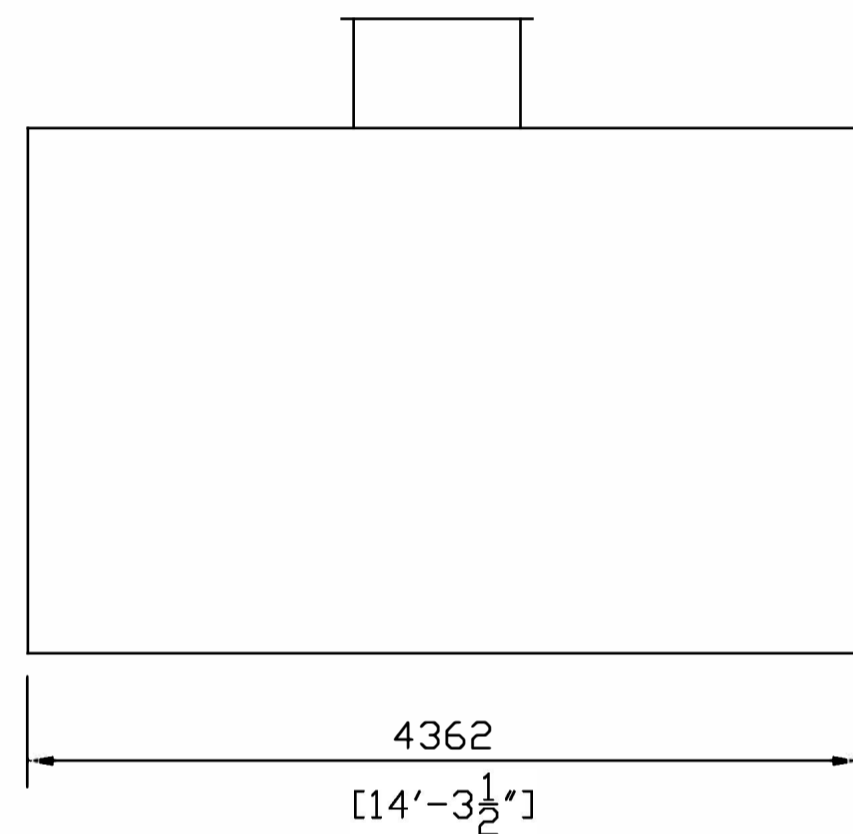
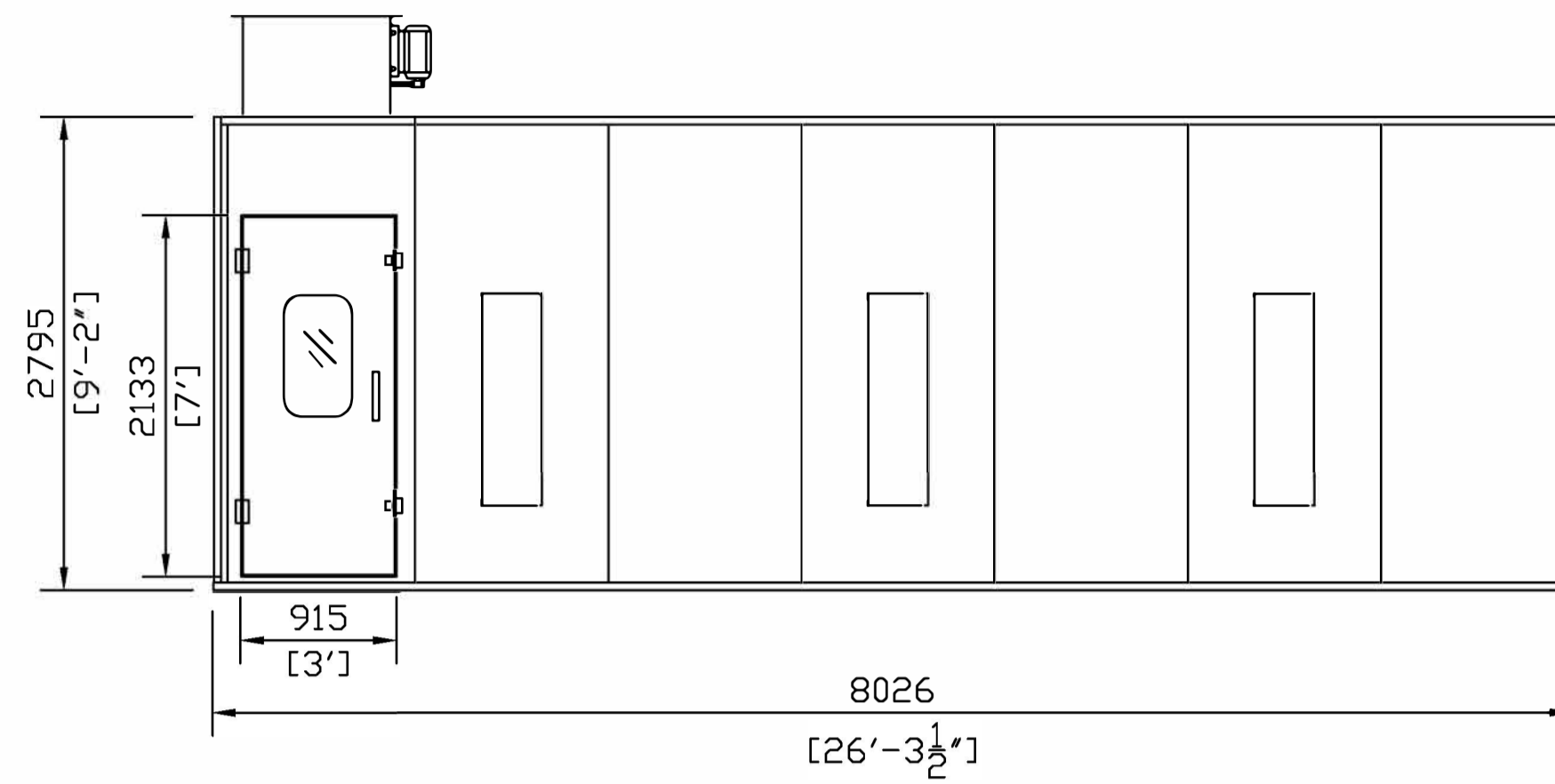


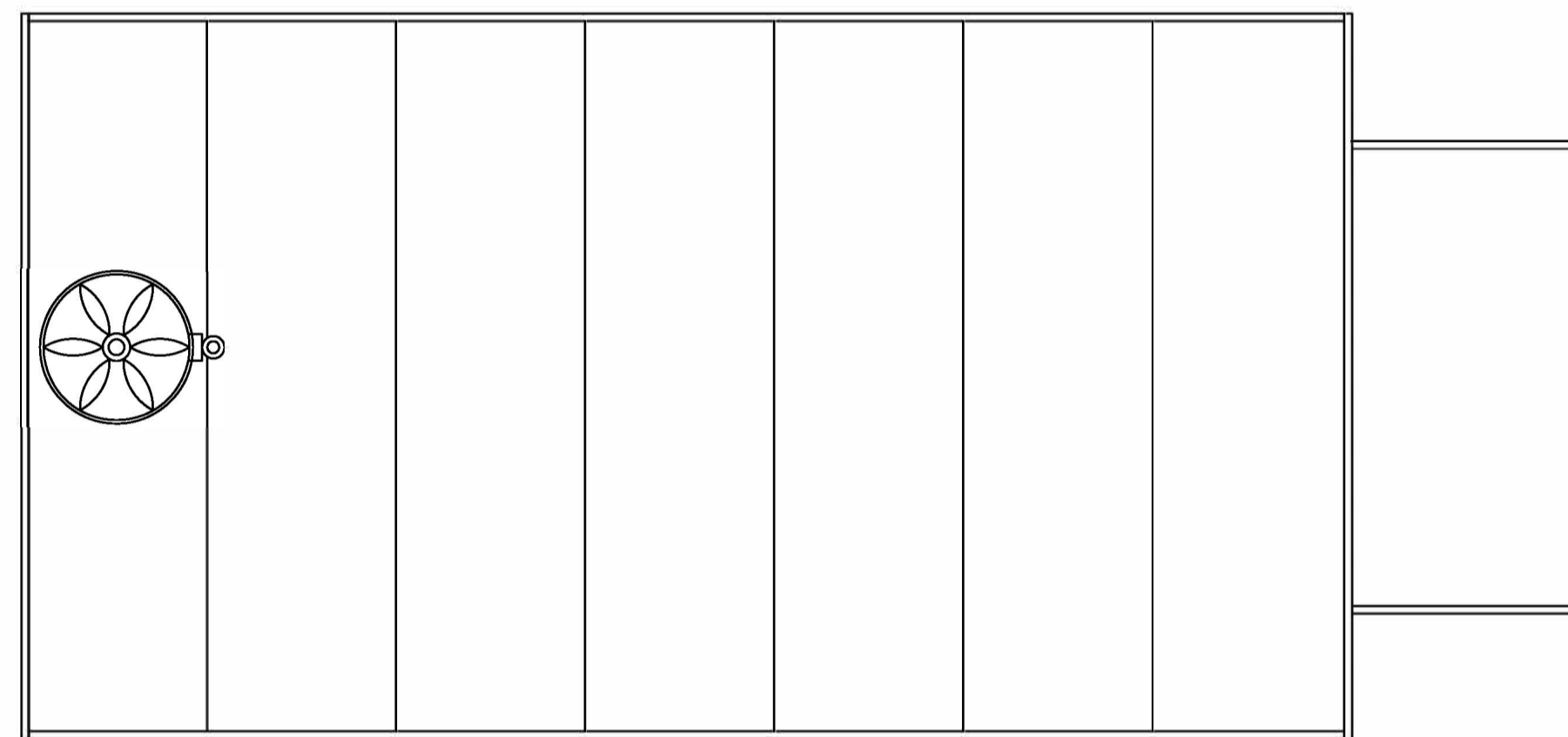
FRONT VIEW



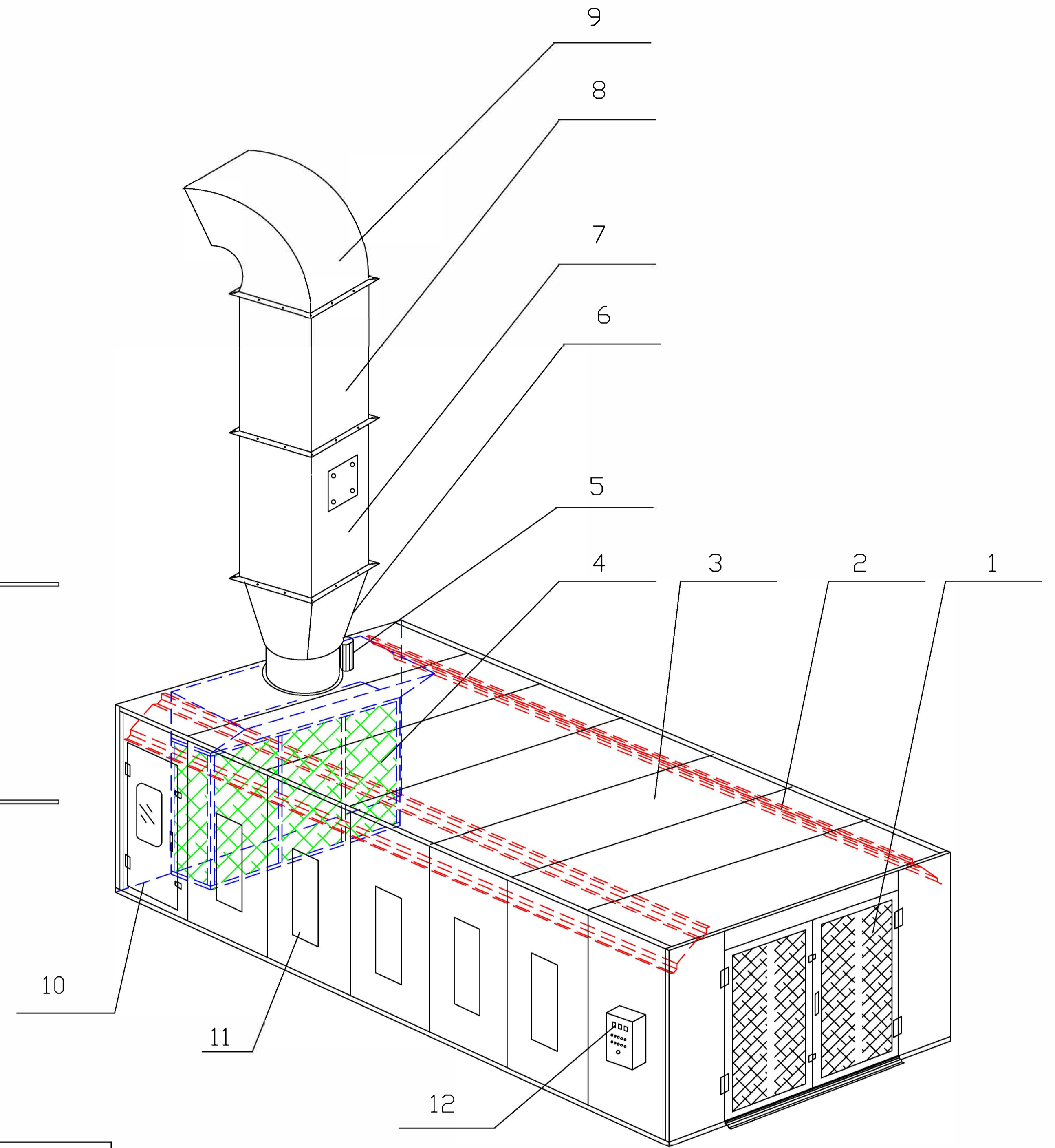
REAR VIEW



SIDE VIEW



TOP VIEW



**FRONT AIR CROSS FLOW
ALUMINIUM REPAIR BOOTH**

MODEL: SD AL 8000

SPECIFICATIONS:

Length: 26'-3 1/2" (8026mm) O.D. / 26'(7900mm) I.D.

Width: 14'-3 1/2" (4362mm) O.D./14' (4240mm) I.D.

Height: 9'-2"(2800mm) O.D./9' (2750mm) I.D.

Front door height: 9' (2750mm)

Front door width: 9' (2750mm)

Side door height: 7' (2133mm)

Side door width: 3' (915mm)

CONSTRUCTION:

Rockwool Insulation 0.6 mm cladded (sandwich) wall panels.

MECHANICAL:

Fan-30" Tubeaxial with spark proof blade,
CFM=12,160 (20,000 m3/h)

FILTERS:

Arrestor Exhaust filters Dim. 3-31"X79"X2"(1700x2000x50 mm),

2-11"X79"X2" (890x2000x50 mm)

20 Intake filters Dim. 20"X20"X2" (500x500x50 mm) inside of front door.

No.	NAME	No.	NAME
1	Main door	7	Exhaust duct with inspection opening
2	Roof lamp	8	Exhaust duct
3	Roof pannel	9	Exhaust elbow
4	Exhaust filter	10	Side door
5	Exhaust fan	11	Side lamp
6	Transition duct	12	Control box

ELECTRICAL:

Lights--10 Top lighting fixtures, 10 Vertical side lighting fixtures, each fixture with 4 tubes (16W LED, PHILIPS), mounted on safety glass.

Motor-3HP(2.2kw) 3Ph, 380V

Power consumption:4kw



PROJECT:			
DRAWING TITLE:			
SIZE	FSCM NO.	DWG NO.	REV
SCALE	N.T.S	DATE	SHEET